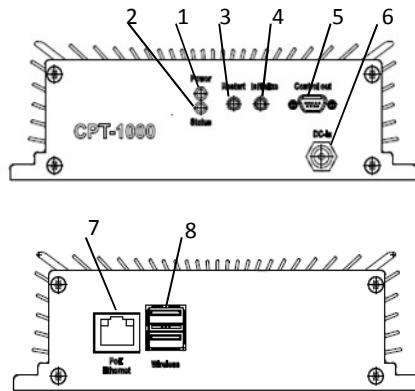


Facial Recognition Appliance CPT-1000 Hardware Installation Guide

1. Hardware overview

1-1. Port name and function



#	Name	Function
1	LED (Power)	Power on / off indicator
2	LED (Status)	Status indicator
3	Restart switch	Push to restart device
4	Initialize switch	Push and hold for 10 seconds to initialize to factory default
5	Control out	Control signal out for door control or external alarm /lamp
6	DC-in	DC inlet from AC adapter
7	Ethernet PoE	Connect to Ethernet for IP camera. PoE power supply is available
8	Wireless	Connect to wireless module

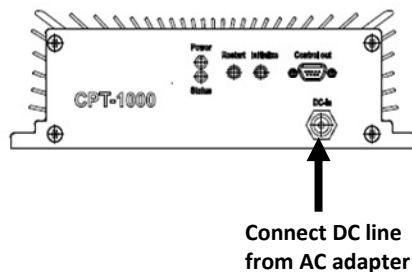
1-2. Connectors

In case of using AC power supply

Connect DC line from AC adapter.

CAUTION

USE ONLY GENUINE AC ADAPTER

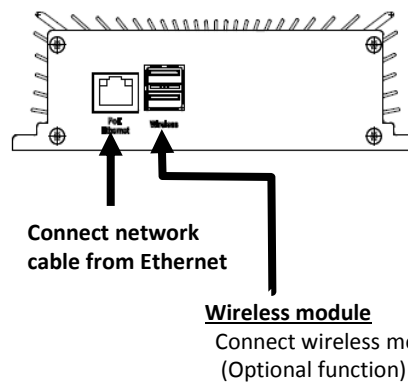


IP camera

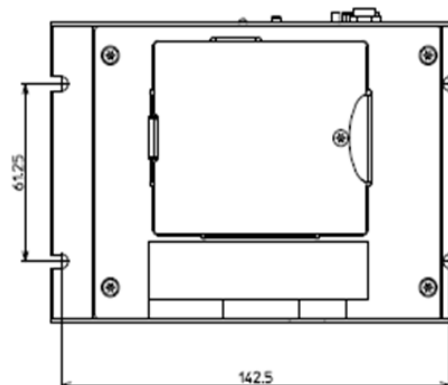
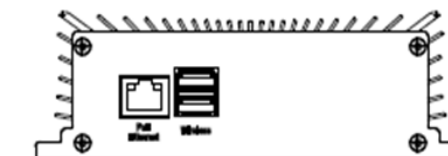
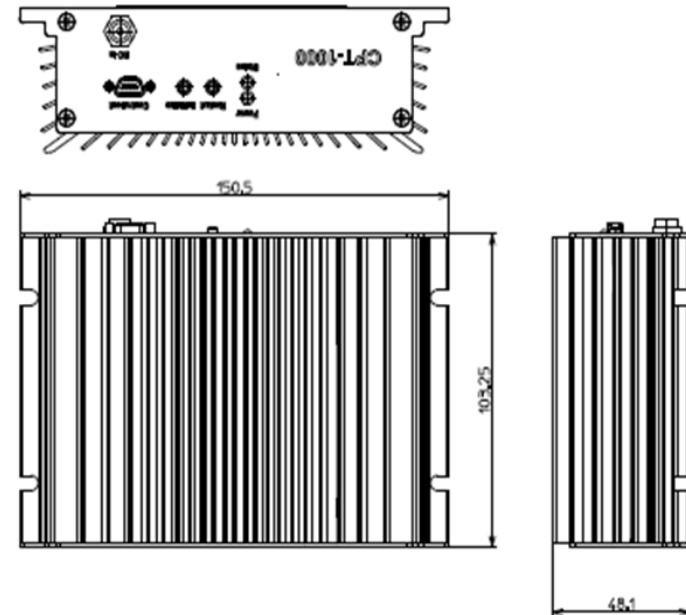
Connect IP camera via Ethernet

In case of using PoE function

Use category 5e or higher cable.
Never connect to AC adaptor.



1-3. Dimension



2. Hardware Specifications

Item	Specification	Remark
Model name	CPT-1000	
Size	150.5 x 103.25 x 48.1 mm	
Weight	700g	
Certifications	UL, CE, CCC EMC Directive of 2004/108/EC FCC Part 15, Subpart B: 2012	
Operating conditions	Device; -20~50°C, 10~85% RH AC adapter; 0~40°C	
AC power supply	Using AC adapter 100~240V, 50~60Hz	
Power Consumption	Typical $\leq 7W$	At DC 12V
Ethernet	100BASE-TX, 1000BASE-T	RJ-45
PoE	IEEE802.3af Class 1	
Default IP address	192.168.2.100	
Control signal out	DC 5V	GPIO

3. Regulatory Compliance

FCC-A Radio Frequency Interference Statement

This equipment has been tested and found to comply with the limits for a class A digital device, pursuant to part 15 of the FCC rules. These limits are designed to provide reasonable protection against harmful interference when the equipment is operated in a commercial environment. This equipment generates, uses, and can radiate frequency energy and, if not installed and used in accordance with the instruction manual, may cause harmful interference to radio communications.

Operation of this equipment in a residential area is likely to cause harmful interference, in which case the user will be required to correct the interference at his personal expense.

Notice 1

The changes or modifications not expressly approved by the party responsible for compliance could void the user's authority to operate the equipment.

Notice 2

Shielded interface cables and A.C. power cord, if any, must be used in order to comply with the emission limits.

4. Safety Precautions

Keep this equipment away from humidity.

Place the power cord in such a way that people cannot step on it.

If any of the following situations arises, get the equipment checked by authorized service personnel.

- The power cord or plug is damaged.
- Liquid has penetrated into the equipment.
- The equipment has been exposed to moisture.
- The equipment has not worked well.
- The equipment has dropped and damaged.
- The equipment has obvious sign of breakage.

Do not leave this equipment in an environment unconditioned or in a storage temperature above 60°C. The equipment may be damaged.

Do not leave this equipment in direct sunlight.

Never pour any liquid into the opening. Liquid can cause damage or electrical shock.

Do not place anything over the power cord.

5. Basic Install procedure

1) Unpacking

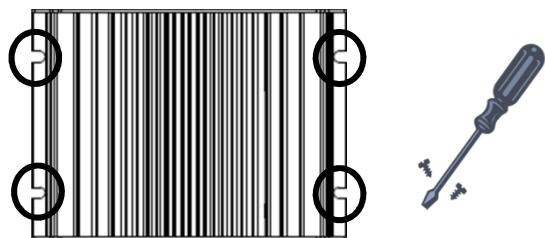
Make sure contents in box (refer contents list)

Contents List

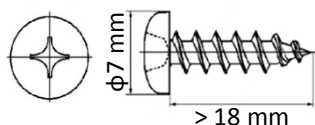
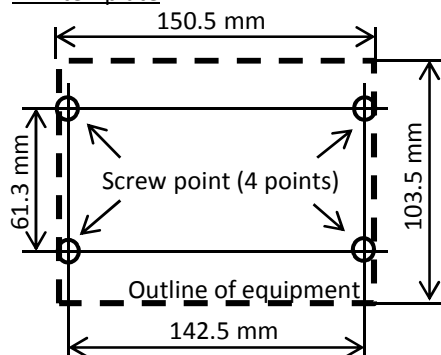
Contents	Quantity
CPT-1000	1
AC adapter (AC cable is not include)	1
Quick Start Guide	1
Hardware Installation Guide	1

2) Installing to wall

Make sure installing area is enough and near switch device.
Screw up to the wall with these 4 points.



Drill template

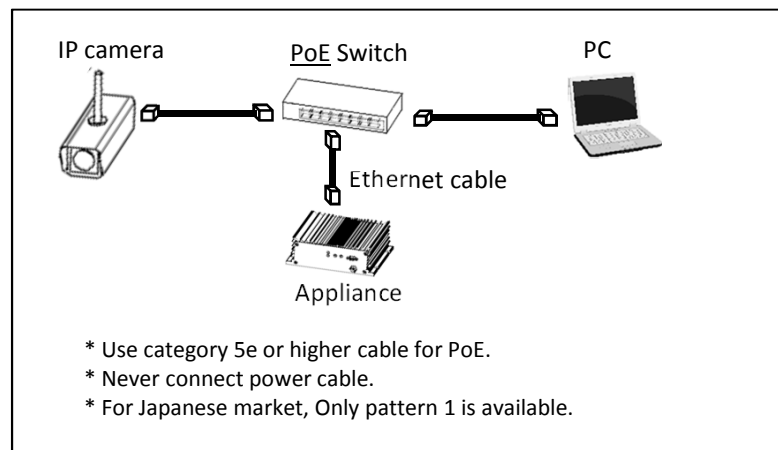


3) Connecting

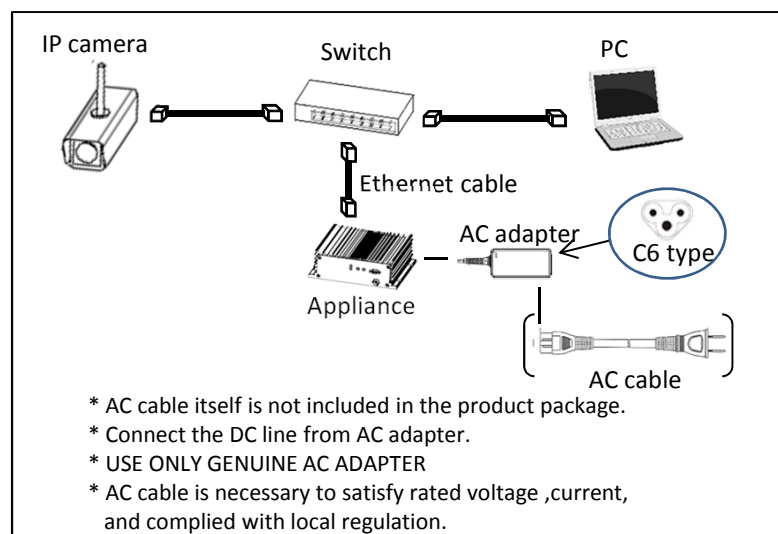
Connect Ethernet cable.

2 patterns of power supply are available.

Pattern1 : Using PoE (Power over Ethernet)



Pattern2 : Using Power cable



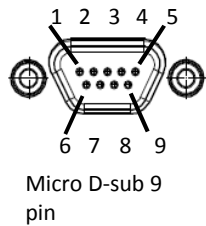
4) Setting and connection test. Refer to "Quick start guide"

5. Optional Install procedure

5-1. GPIO option

1) Pin assignment

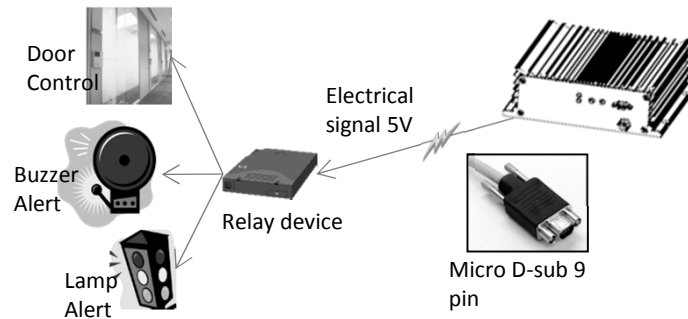
Control out pin assignment



#	Pin assignment	Usage
1	Ch1 output DC5V	White list match
2	GND	
3	Ch2 output DC5V	Black list match
4	GND	
5	NA	
6	NA	
7	NA	
8	NA	
9	NA	

2) Connecting

Connect to the external devices or Relay device if necessary. signal out from appliance is 5V.



5-2. Setting and connection test. Refer to “User Manual”

For both option, Software setting detail is explained in “User Manual”. It can be downloaded from the NEC Hong Kong website.

http://hk.nec.com/en_HK/solutions/bysolutions/mobile_facial_recognition_appliance/index.html